

REPLACEMENT BCC3 CONTROL KIT

INSTALLATION INSTRUCTIONS FOR REPLACEMENT BCC3 BLOWER CONTROL KIT

SHIPPING AND PACKING LIST

Package 1 of 1 contains:

- 1- Replacement BCC3 blower control
- 1- Blue wire
- 1- Wire nut

APPLICATION

This kit (48K98) is for use on G20, G20R, G23 and G26 series units. The BCC3 functions and troubleshoots the same as the other BCC (BCC1 or BCC2) control boards.

INSTALLATION

- 1- Turn off electrical power.
- 2- Remove access panel.
- 3- Remove control box cover. (G20R units not equipped with control box cover.)
- 4- Mark and disconnect wires at existing BCC control board.
- 5- Remove BCC blower control board. Install replacement BCC3 board.
- 6- Reconnect marked wires to new control board.
- 7- Notice the terminal labeled "24V" on the replacement control board. The quick connect terminal on the new board is 3/16"; early BCC boards had a 1/4" quick connect terminal. The provided wire is used to connect to this terminal. If a BCC3 board is being replaced, the provided wire is not needed; simply reconnect wire from existing BCC3.

- 8- Cut existing wires from terminal "24V", strip back 5/8" and wire nut to wire provided in kit. Connect spade end of provided wire to the "24V" terminal on the BCC3 control board.
- 9- Reinstall control box cover for G20, G23 and G26 units.
- 10- Replace access panel.
- 11- Restore electrical power and refer to unit installation instructions for start-up and check-out procedures.

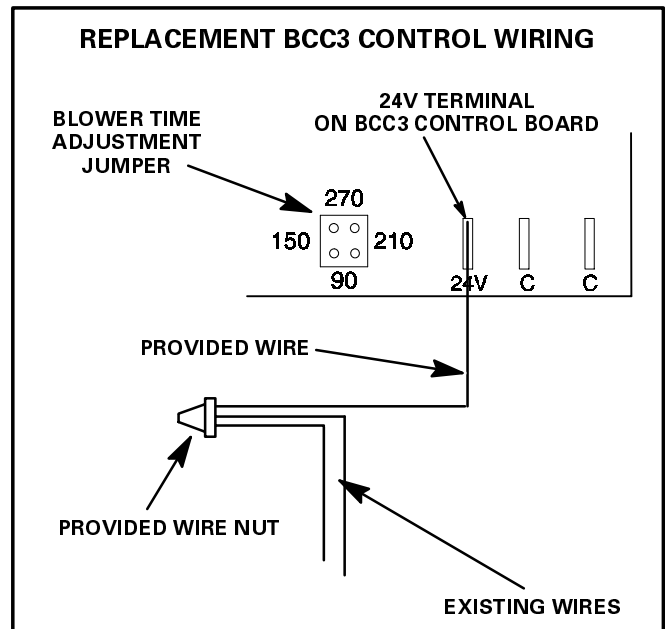


FIGURE 1